

REVISIONS				
ZONE	REV	DESCRIPTION	DATE	APPROVED
-	2	ISSUED FOR USE (10 YEAR UPDATE)	11/19/23	APG

**GENERAL NOTES**

The installation contractor is solely responsible for site safety. Site visits by Engineered Supply do not include review of the contractor's safety precautions.

Installation drawings documenting the base materials shall be provided by others and shall be reviewed by an experienced licensed engineer for all tieback and rope descent systems, or by a competent qualified person for all fall protection systems. **BASE MATERIALS** Base material shall be capable of supporting the loads shown in accordance with the current applicable codes for the project location. Base material shall be 2x nominal top chord trusses at 16" to 24" on center with 7/16" to 3/4" thick plywood / osb, or equal with written approval from Engineered Supply.

**ANCHOR BOLTS**

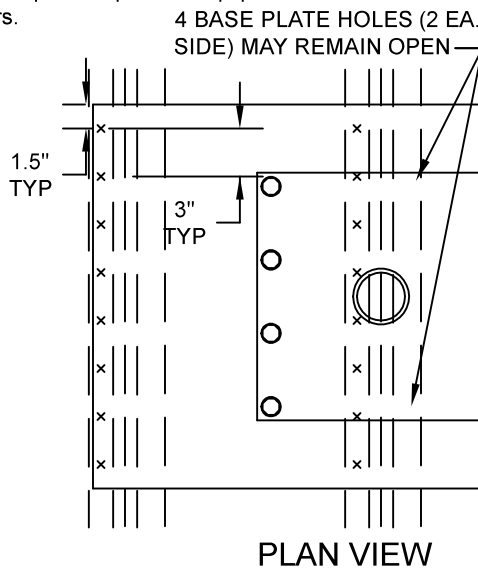
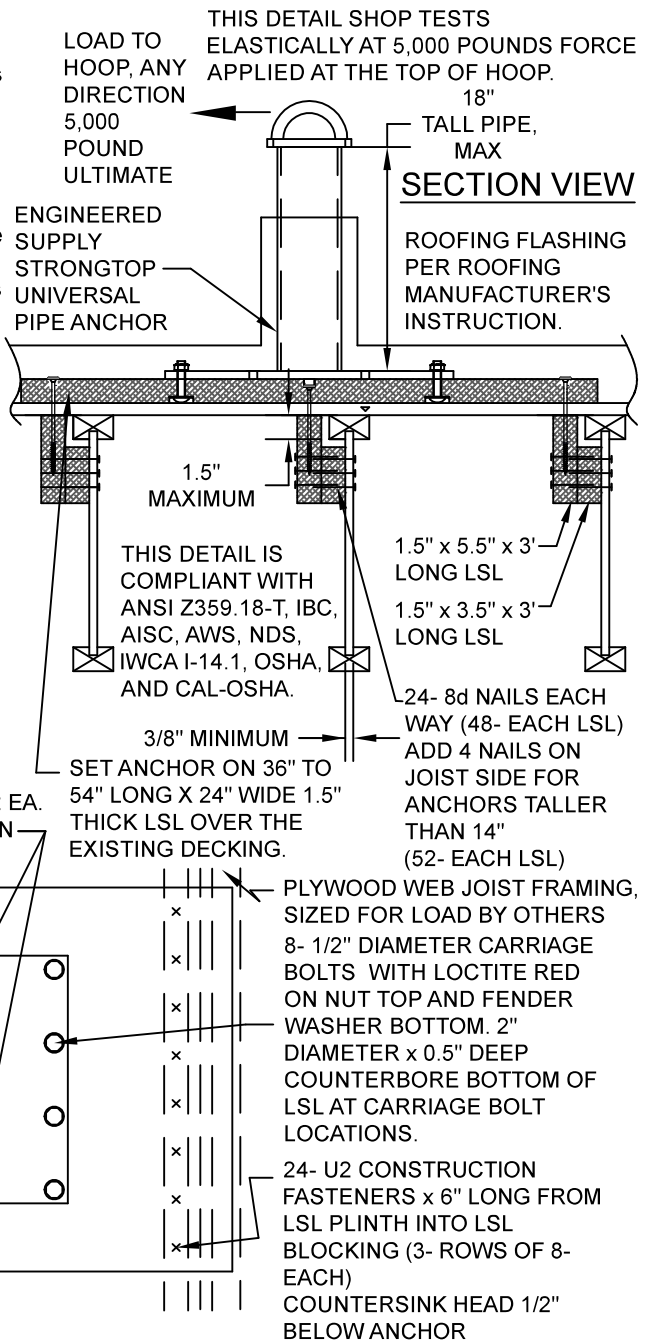
All anchors shall be installed in strict accordance with the anchor manufacturer's instruction. Anchor fasteners shall be tightened until all surfaces are in direct contact and wood is lightly indented at edge of washer or screw head. Do not overdrive fasteners.

**INSPECTION AND TRAINING** All fall protection and suspended maintenance equipment shall be selected or designed by others. Usage shall comply with the current version of the ANSI IWCA I14.1. Systems users to inspect all equipment prior to each use, including all visible attachment points, locks, and pins to ensure all equipment is in safe working order. All users shall be trained on proper use of the equipment, as well as knowing and complying with OSHA, ANSI and other pertinent life safety regulations.

Equipment for rope descent and tie back use shall be initially load tested under the direction of a licensed engineer and annually inspected by a competent qualified person. Equipment shall be re-certified within 5 years.

**BUILDING ENVELOPE**

Installation and materials surrounding the anchor shall be designed by others in compliance with the applicable manufacturer's instructions and shall maintain the existing building warrantee as applicable. Flexible boots shall be provided at all roofing penetrations in accordance with the roofing manufacturer's instruction.



**ENGINEERED SUPPLY**

201 2ND AVE SOUTH  
BAYPORT, MINNESOTA 55003

651-439-0932  
ENGINEEREDSUPPLY.COM

THIS DRAWING AND THE DESIGN SHOWN IS THE SOLE PROPERTY OF ENGINEERED SUPPLY.

**STRONGTOP™**

Permanent Suspended Maintenance

ES P/N 901002-518c

GENERAL INSTALLATION DETAIL,  
WOOD JOIST FRAMING ATTACHMENT,  
UNIVERSAL PIPE ANCHOR

SIZE

8.5x11

PATENT NO.

D772040

DWG NO.

901002-518c

SCALE 1" = 1'-0"

SHEET 1 of 1