

| REVISIONS |     |                |          |          |
|-----------|-----|----------------|----------|----------|
| ZONE      | REV | DESCRIPTION    | DATE     | APPROVED |
| -         | 1   | ISSUED FOR USE | 10/04/14 | APG      |

**GENERAL NOTES**

The installation contractor is solely responsible for site safety. Site visits by Engineered Supply do not include review of the contractor's safety precautions.

**BASE MATERIALS**

Base material shall be minimum 1/2" thick 36 to 50 ksi yield strength structural steel, or equal with written approval from Engineered Supply.

Base materials shall be reviewed by an experienced licensed engineer for imposed loading.

**INSPECTION AND TRAINING**

All fall protection and suspended maintenance equipment shall be selected or designed by others.

Usage shall comply with the current version of the ANSI IWCA I14.1. Systems users to inspect all equipment prior to each use, including all visible attachment points, locks, and pins to ensure all equipment is in safe working order. All users shall be trained on proper use of the equipment, as well as knowing and complying with OSHA, ANSI, and other pertinent life safety regulations.

Equipment shall be initially load tested, annually inspected by a qualified person, and also re-certified within 10 years under direct supervision of an experienced licensed engineer.

**FINISH TOUCH UP**

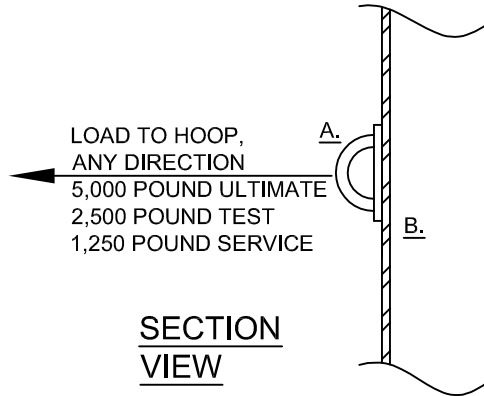
Touch up all finishes with zinc rich paint after welding.

**BUILDING ENVELOPE**

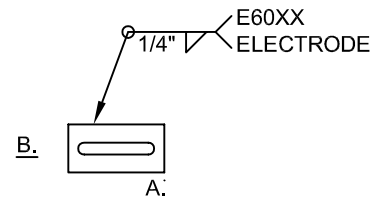
Installation and materials surrounding the anchor shall be designed by others in compliance with the applicable manufacturer's instructions and shall maintain the existing building warrantee as applicable.

Flexible boots shall be provided at all roofing penetrations in accordance with the roofing manufacturer's instruction.

Touch up blemishes in hot dip finish with zinc rich paint, supply by installer.



**SECTION VIEW**



**ELEVATION VIEW**

**KEYED NOTES**

- A. ENGINEERED SUPPLY STRONGTOP WELDED PLATE ANCHOR.
- B. STRUCTURAL STEEL BASE MATERIAL.



**ENGINEERED SUPPLY**

1286 OLDRIDGE AVE N  
 STILLWATER, MN 55082  
 612.508.7287

**STRONGTOP™**  
 Permanent Suspended Maintenance

ES P/N 902004-501

GENERAL INSTALLATION DETAIL,  
 STRUCTURAL STEEL ATTACHMENT,  
 WELDED PLATE ANCHOR

|        |          |            |
|--------|----------|------------|
| SIZE   | FSCM NO. | DWG NO.    |
| 8.5x11 | -        | 902004-501 |

THIS DRAWING AND THE DESIGN SHOWN IS THE SOLE PROPERTY OF ENGINEERED SUPPLY.

SCALE 1" = 1'-0" SHEET 1 of 1