

REVISIONS				
ZONE	REV	DESCRIPTION	DATE	APPROVED
-	2	ISSUED FOR USE	09/22/14	APG

GENERAL NOTES

The installation contractor is solely responsible for site safety. Site visits by Engineered Supply do not include review of the contractor's safety precautions. Installation drawings documenting the base materials and anchor bolts shall be provided by others and shall be reviewed by an experienced licensed engineer.

BASE MATERIALS

Base material shall be structural steel suitable for welding with E70xx electrodes. Base material shall be capable of supporting the loads shown in accordance with the current applicable building codes for the project location, and the base material shall not exceed its yield strength under the test load shown.

ANCHOR WELDING

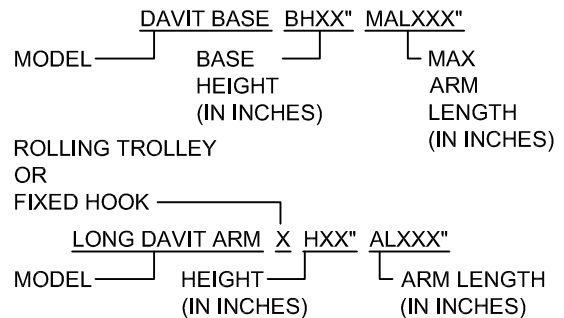
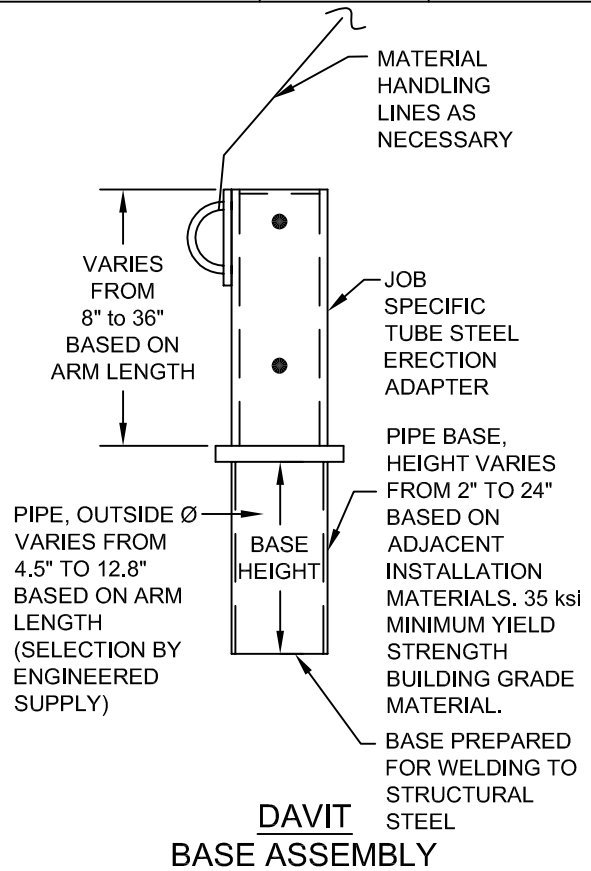
Anchor welds shall be reviewed by an experienced licensed engineer. Anchor welds shall consist of 1/4" to 1/2" throat field placed fillet welds. Anchor throat thickness varies based on pipe height, and shall be determined by the base material for the specific installation. Anchor welds shall be made with E70xx material, or equal weld filler material. All welds shall be in strict accordance to AWS requirements. Field welds shall be prepared and field touch up painted with zinc rich paint by others.

INSPECTION AND TRAINING

All fall protection and suspended maintenance equipment shall be selected or designed by others. Usage and installation shall comply with the current version of the ANSI IWCA I14.1. Systems users to inspect all equipment prior to each use, including all visible attachment points, locks, and pins to ensure all equipment is in safe working order. All users shall be trained on proper use of the equipment, as well as knowing and complying with OSHA, ANSI and other pertinent life safety regulations. Equipment shall be initially load tested, annually inspected by a qualified person, and also re-certified within 10 years under direct supervision of an experienced licensed engineer.

BUILDING ENVELOPE

Installation and materials surrounding the anchor shall be designed by others in compliance with the applicable manufacturer's instructions and shall maintain the existing building warrantee as applicable. Flexible boots shall be provided at all roofing penetrations in accordance with the roofing manufacturer's instruction.



ORDERING INFORMATION

ENGINEERED SUPPLY WILL PROVIDE WHEELED MATERIAL HANDLING CART(S) AS NECESSARY



ENGINEERED SUPPLY

1286 OLDRIDGE AVE N
 STILLWATER, MN 55082
 612.508.7287

THIS DRAWING AND THE DESIGN SHOWN IS THE SOLE PROPERTY OF ENGINEERED SUPPLY.

STRONGTOP™

Permanent Suspended Maintenance

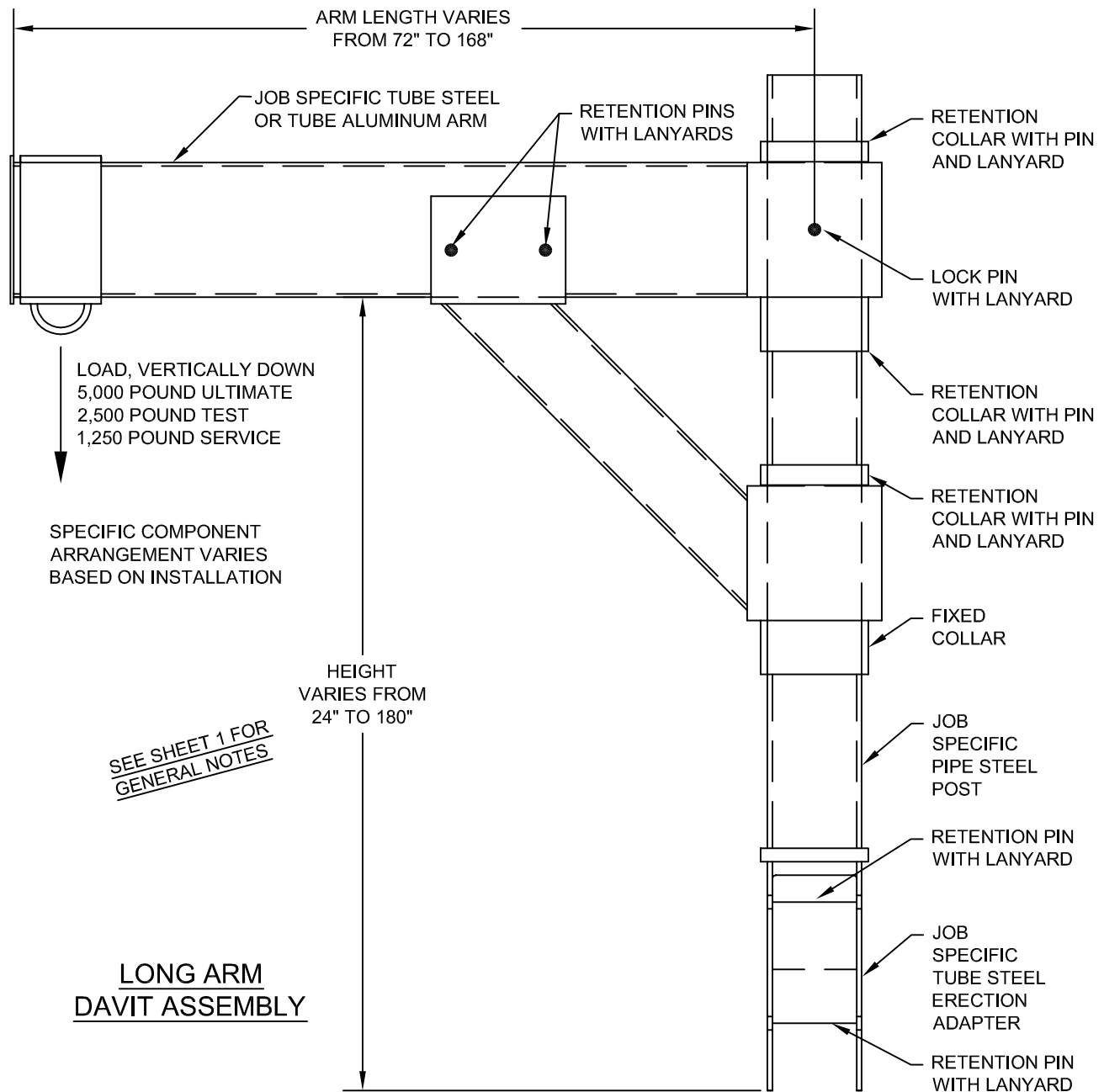
ES P/N 904002-001

DATA SHEET, LONG ARM DAVIT,
 5000 LB, ROTATING

SIZE	FSCM NO.	DWG NO.
8.5x11	-	904002-001

SCALE 1" = 1'-0" SHEET 1 of 2

REVISIONS				
ZONE	REV	DESCRIPTION	DATE	APPROVED
-	2	ISSUED FOR USE	09/22/14	APG



ENGINEERED SUPPLY

1286 OLDRIDGE AVE N
STILLWATER, MN 55082
612.508.7287

THIS DRAWING AND THE DESIGN SHOWN IS THE SOLE PROPERTY OF ENGINEERED SUPPLY.

STRONGTOP™

Permanent Suspended Maintenance

ES P/N 904002-001

DATA SHEET, LONG ARM DAVIT,
5000 LB, ROTATING

SIZE

8.5x11

FSCM NO.

-

DWG NO.

904002-001

SCALE 1" = 1'-0"

SHEET 2 of 2