

REVISIONS				
ZONE	REV	DESCRIPTION	DATE	APPROVED
-	2	ISSUED FOR USE (10 YEAR UPDATE)	11/12/2023	APG

GENERAL NOTES

The installation contractor is solely responsible for site safety. Site visits by Engineered Supply do not include review of the contractor's safety precautions.

Installation drawings documenting the base materials and anchor bolts shall be provided by others and shall be reviewed by an experienced licensed engineer for all tieback and rope descent systems, or by a competent qualified person for all fall protection systems.

BASE MATERIALS Base material shall be structural steel, precast concrete, cast in place concrete, solid grouted masonry block, solid wood blocking, or equal with written approval from Engineered Supply.

Base material shall be capable of supporting the loads shown in accordance with the current applicable codes for the project location.

ANCHOR BOLTS Anchor bolts shall be strictly per Engineered Supply's recommendations or reviewed by an experienced licensed engineer.

Anchor bolts shall consist of either 4-, 8-, or 12- 1/2"Ø 300 series stainless steel or hot dipped galvanized steel materials. Anchor bolt embedment varies based on pipe height, and shall be determined by the base material for the specific installation.

Anchoring systems shall be Hilti HY270 adhesive, Hilti HY200 adhesive, Hilti HDA Undercut, Hilti Kwik Bolt TZ, cast in place threaded rods with embedded double nuts and washer, lag bolts rated for structural use in buildings, through bolt or equal seismic rated anchor with written approval from Engineered Supply. Note: lag bolts not allowed in the state of CA for suspended maintenance use.

All anchors shall be installed in strict accordance with the anchor manufacturer's instruction.

100% of adhesive anchors require tensile pull test to a force equivalent to the test load. Anchor bolts shall have deformed thread nuts, or permanent thread locking chemical to prevent loosening. Anchor fasteners shall be torqued with a calibrated wrench in accordance to the anchor manufacturer's literature.

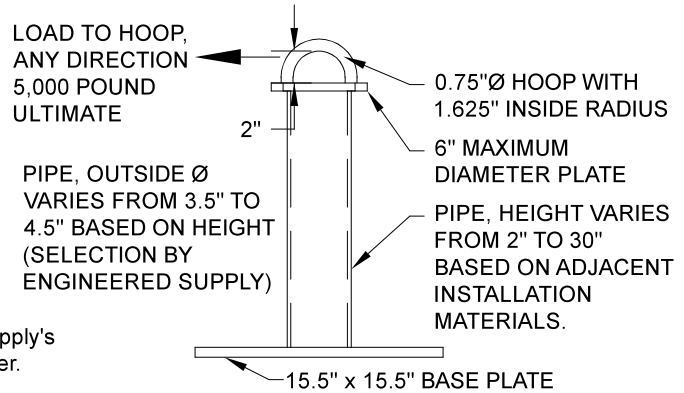
INSPECTION AND TRAINING All fall protection and suspended maintenance equipment shall be selected or designed by others.

Usage shall comply with the current version of the ANSI IWCA I14.1. Systems users to inspect all equipment prior to each use, including all visible attachment points, locks, and pins to ensure all equipment is in safe working order. All users shall be trained on proper use of the equipment, as well as knowing and complying with OSHA, ANSI and other pertinent life safety regulations.

Equipment for rope descent and tie back use shall be initially load tested under the direction of a licensed engineer, annually inspected by a competent qualified person, and also re-certified within 5 years under direct supervision of an experienced licensed engineer.

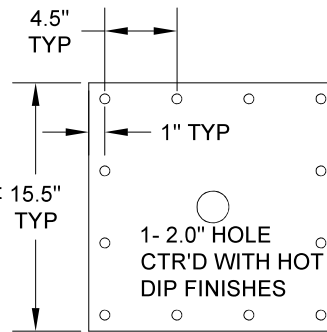
BUILDING ENVELOPE Installation and materials surrounding the anchor shall be designed by others in compliance with the applicable manufacturer's instructions and shall maintain the existing building warrantee as applicable.

THIS ANCHORAGE CONNECTOR SHOP TESTS ELASTICALLY AT 5,000 POUNDS FORCE APPLIED AT THE TOP OF HOOP, PERPENDICULAR TO HOOP.



UNIVERSAL PIPE ANCHOR ASSEMBLY

STOCKED IN 14", 18", AND 24" PIPE HEIGHTS, THESE STOCKED PRODUCTS ARE COMPLIANT WITH ANSI Z359.18-T, IBC, AISC, AWS, IWCA I-14.1, OSHA, AND CAL-OSHA.



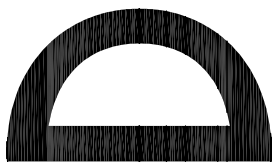
BASE PLATE HOLE PATTERN

PLATE THICKNESS VARIES FROM 0.375" TO 1" THICK BASED ON PIPE HEIGHT AND BASE PLATE MATERIAL (SELECTION BY ENGINEERED SUPPLY)

UNIVERSAL PIPE ANCHOR HXX"

MODEL _____ PIPE HEIGHT _____
OPTION TO ADD 1/4", 1/2", OR 1" THERMAL INSULATION (IN INCHES)

ORDERING INFORMATION



ENGINEERED SUPPLY

201 2ND AVE SOUTH
BAYPORT, MINNESOTA 55003

651-439-0932
ENGINEEREDSUPPLY.COM

STRONGTOP®
Permanent Suspended Maintenance

ES P/N 901002-101

DATA SHEET, UNIVERSAL PIPE ANCHOR, 5000 LB, 12- HOLE

SIZE	PATENT NO.	DWG NO.
8.5x11	D772040	901002-101

THIS DRAWING AND THE DESIGN SHOWN IS THE SOLE PROPERTY OF ENGINEERED SUPPLY.

SCALE 1" = 1'-0" SHEET 1 of 1